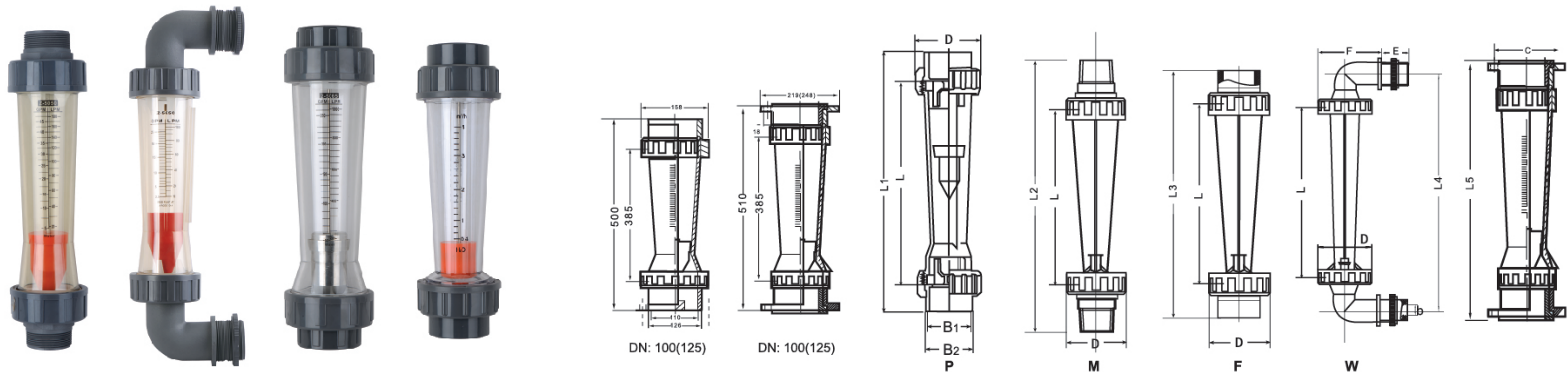


The Series Z-500 Plastic Rotameter

Easy to read, convenient to disassemble and clean, low cost, optional PC transparent main tube



The Series Z-500 Plastic Rotameter is a variable area flowmeter. Its measuring tube is made of transparent engineering plastic. As fluid passes through the pipe, the float suspends itself under the influence of fluid dynamics and gravity. The greater the fluid flow, the higher the float rises, allowing direct reading of the flow value from its position. With high transparency, impact resistance, and excellent chemical compatibility, this plastic tube flowmeter becomes a preferred tool for laboratories, food & pharmaceutical industries, and measurement of corrosive media with small to medium flow rates. Its lightweight design, low cost, and ease of observation give it significant advantages in all applications.

FEATURES

- The rotor floats with the fluid, no mechanical wear, low maintenance costs, and a long service life.
- Alarm switch output is available.
- Lightweight and cost-effective, it provides an economical flow measurement solution.
- Installed vertically without requiring straight pipe sections.
- The transparent pipe allows for direct observation of the fluid status and rotor position, facilitating easy reading.

APPLICATIONS

- Pharmaceutical Industry
- Semiconductor Industry
- Food and Beverage Industry
- Urban Water Supply and Drainage
- Environmental Protection
- New Energy Industry
- Scientific research institution

SPECIFICATIONS

Service	Compatible liquids
Material	See the list of materials
Accuracy	±5%
Temperature Rating	0°C to 60°C
Pressure Rating	Less than 0.6MPa
Connection	Optional connections: external thread, Internal thread, socket and spigot joint, elbow joint

MODEL CHART

Example	Z-50	15	-0.5GPM-5GPM	-P	-M	-3	
Series	Z-500						Plastic Rotameter
Pipe Size		08					Please refer to the technical specification, outline dimension and material list
		08C					Please refer to the technical specification, outline dimension and material list
		15					Please refer to the technical specification, outline dimension and material list
		25					Please refer to the technical specification, outline dimension and material list
		32					Please refer to the technical specification, outline dimension and material list
		50					Please refer to the technical specification, outline dimension and material list
		65					Please refer to the technical specification, outline dimension and material list
		100					Please refer to the technical specification, outline dimension and material list
	125					Please refer to the technical specification, outline dimension and material list	
Flow Range			XXXXXXXX				Please select the flow range in the technical specification, for example, "0.5GMP-5GMP"
Body Material				P			PC Polycarbonate
				A			AS Engineering Plastic
Connection					P		Socket and spigot joint
					M		External Thread
					F		Internal Thread
					W		Elbow joint
Float Material						1	ABS Engineering Plastic
						2	304 Stainless Steel
						3	316 Stainless Steel

Specifications

Model	Liquid		Socket Weld	Male Thread	Female Thread	90° Elbow (W)
	(GPM)	(LPM)				
Z-5008	0.1~1 0.2~2 0.5~5	0.5~4 1~7 1.8~18	ø20	1/2"BSP 1/2"NPT	—	1/2"NPT 1/2"BSP
Z-5008C	0.1~1 0.2~2 0.5~5	0.5~4 1~7 1.8~18	ø20	1/2"NPT 3/4"NPT	—	1/2"NPT 1/2"BSP
Z-5015	0.25~2.5 0.5~5 0.8~8	1~10 1.8~18 3~30	ø20	1/2"NPT 3/4"NPT	1/2"BSP	1/2"NPT 1/2"BSP
Z-5025	0.8~8 1~10	3~30 4~40	ø32	3/4"NPT	3/4"NPT 3/4"BSP	3/4"NPT 3/4"BSP
Z-5032	1.2~12 2~20 2.5~25	5~50 8~80 10~100	ø40	1"NPT	1"NPT 1"BSP	1"NPT 1"BSP
Z-5050	2.5~25 5~45 7~70	10~100 20~180 25~250	ø63	2"NPT	2"NPT 2"BSP	2"NPT 2"BSP
Z-5065	25~110 40~160 50~250	80~400 150~650 200~1000	ø75	—	2½"NPT	—
Z-50100	12~60(m³/h) 18~90(m³/h) 20~120(m³/h)		ø110	Center hole distance 180mm	8-ø18	
Z-50125	25~150(m³/h) 30~180(m³/h)		ø110	Center hole distance 210mm	8-ø18	

Material

Model	Body Material	Pipe Insert (P)	Male Thread (M)	Female Thread (F)	90° Elbow (W)	Float Material
Z-5008	PC,PSU	PVC	PA6	PA66	PVC	316
Z-5008C	PC,PSU	PVC	PA6	PA66	PVC	316
Z-5015	PC,PSU	PVC	PA6	PA66	PVC	316
Z-5025	PC	PVC	PA6	PA66	PVC	ABS,304
Z-5032	PC	PVC	PA6	PA66	PVC	ABS,304
Z-5050	PC,PSU	PVC	PA6	PA66	PA6	ABS,304
Z-5065	AS	PVC		PA66		ABS
Z-50100	AS	PVC				ABS
Z-50125	AS	PVC				ABS

Size

Model	L	D	Pipe Insert (P)			Male Thread (M)	Female Thread (F)	90° Elbow (W)				Flange		Weight (kg)
			L1	B1	B2			L2	L3	L4	E	F	b	
Z-5008	99	42	146	20	26	170	—	153	27	55	ø12	/	/	0.15
Z-5008C	160	51	210	20	26	230	209	235	27	55	ø13	/	/	0.2
Z-5015	135	51	180	20	26	210	183	205	27	55	ø13	255	65	0.2
Z-5025	170	59	226	32	39	253	228	267	35	83	ø20	310	85	0.4
Z-5032	223	72	287	40	49	317	287	330	40	95	ø26	370	100	0.65
Z-5050	290	100	375	63	73	400	370	440	40	120	ø45	465	125	2.5
Z-5065	325	120	420	75	89	—	423	—	—	—	—	525	145	3.5